

VANTAGE

Easyfit Bath Shower Mixer

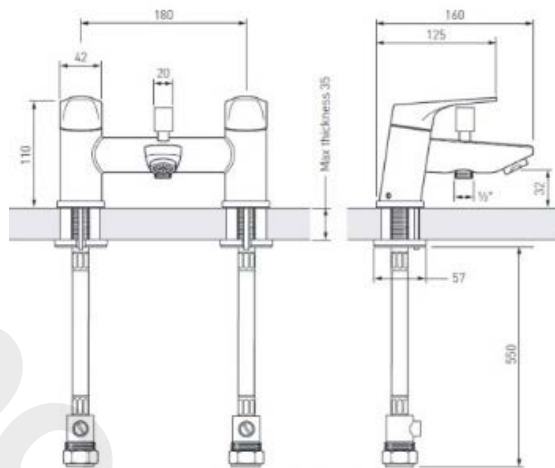
Product Specification

Product Code:	VT BSM C
Finishes:	Chrome
Product Type:	Contemporary
Construction:	Tap bodies are of all brass construction and are designed to conform to BS EN 200
Valve Type:	¼ Turn ¾" Ceramic Disc
Supply:	Suitable for all plumbing systems
Inlet Connections:	22mm flexible connecting pipes incorporating isolation valves
Working Pressures:	Min 0.3 bar Max. 8.0 bar



Additional Information

- Unique patented technology
- Designed with the installer in mind to ensure installation and future maintenance is made quick and easy
- Chrome plated to BS EN 248
- Ceramic disc valves for added durability and ease of use
- Supplied with easy to use metal handles
- Supplied with 1.75m hose, rub clean handset and wall bracket



Flow Rates (litres per minute)

System Pressure	0.3bar	0.5bar	1.0bar	2.0bar	3.0bar	5.0bar
Single Outlet	14	18	25.4	36.1	44	56.4
Mixed	16.4	25.3	335.1	49.3	59.9	76.7
Handset	4.7	6.2	9	13	16.2	22.5

Compliance / Approvals

Technical Advice: For further information please call 0844 7016273 or email customer@bristan.com

Guarantee: 5 years covering manufacturing faults.

